

PRODUCT SPECIFICATIONS

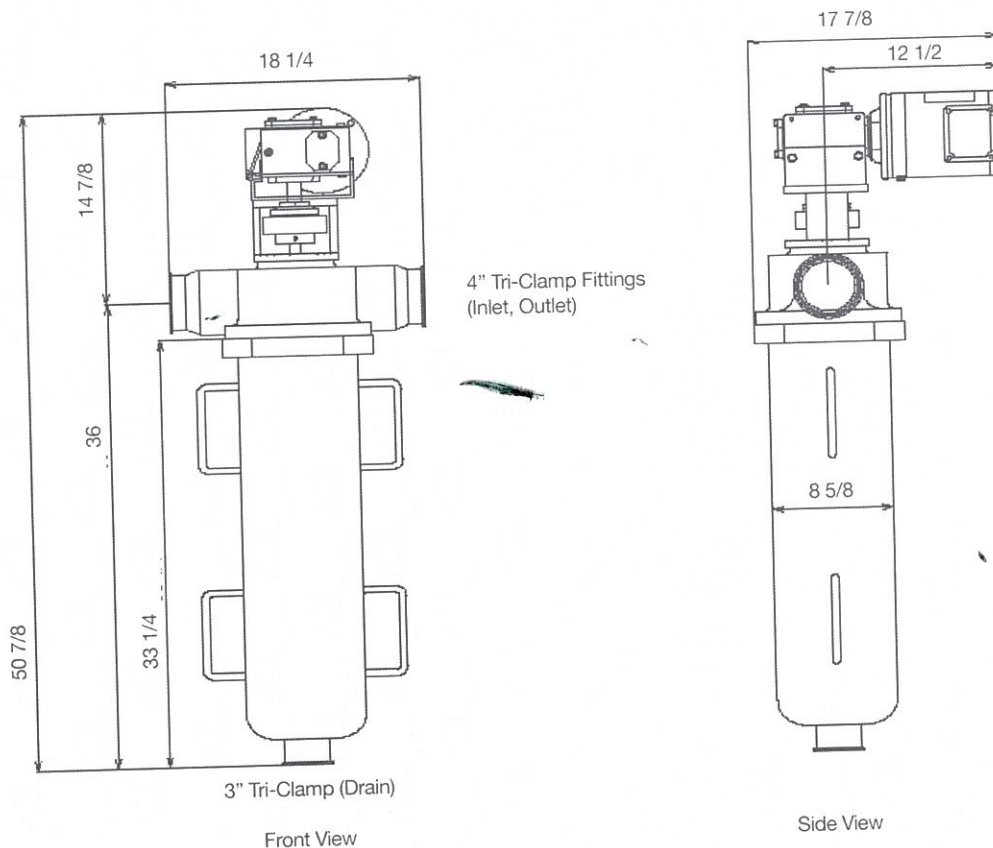
GS-144-F FOOD GRADE STRAINER

STANDARD FEATURES

- 316-L Stainless Steel
- 3PH 1/2 HP Motor
- Wedgewire Screen
- PEEK Stationary
- Wiper Blade
- 4" tri-clamp inlet/outlet
- 3" tri-clamp drain
- 150 PSI Rating
- 2-3 Week Lead Time

AVAILABLE OPTIONS

- 1 PH, air, XP
- Perforated Screen
 - Delrin
 - Teflon
- 4" Flanged inlet/outlet
- 3" Flanged Drain
- Ratings to 400 PSI
- Mobile Stand
- Monthly Test Lease



800.801.4977

www.spencerstrainer.com