

PRODUCT SPECIFICATIONS

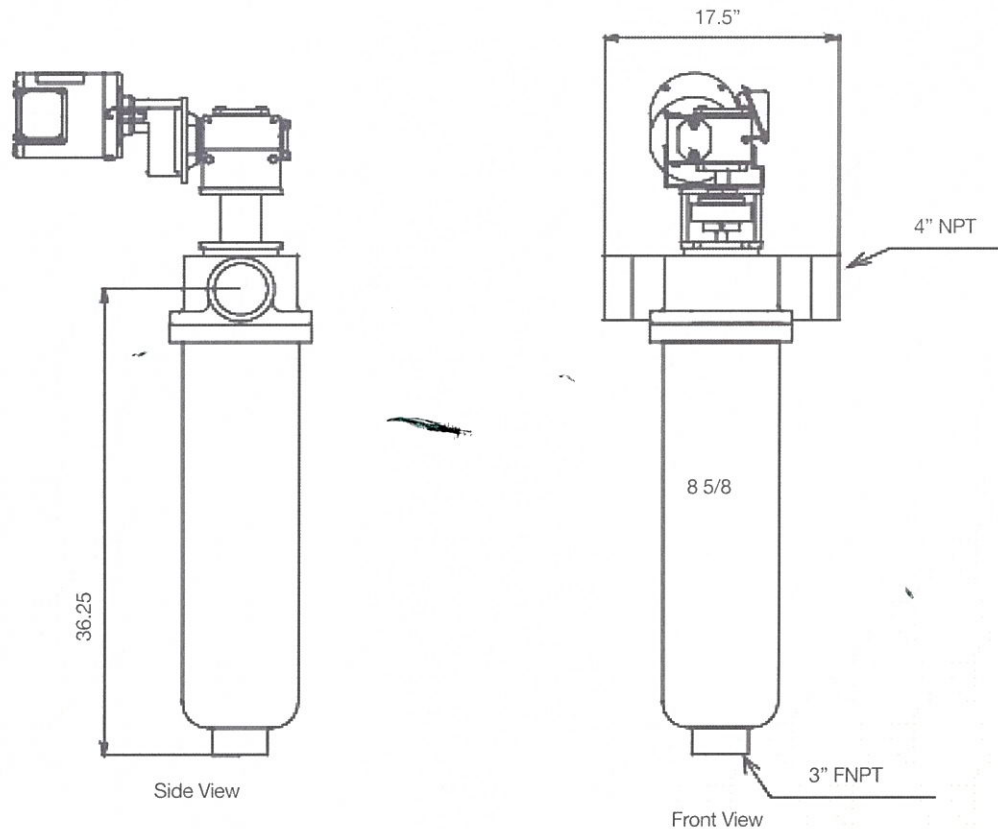
GS-144-C INDUSTRIAL GRADE STRAINER

STANDARD FEATURES

- 316-L Stainless Steel
- 3PH 1/2 HP Motor
- Wedgewire Screen
- PEEK Stationary
- Wiper Blade
- 4" NPT Inlet/Outlet
- 3" NPT Drain
- 150 PSI Rating
- 2-3 Week Lead Time

AVAILABLE OPTIONS

- 1 PH, Air, XP
- Perforated Screen
-Delrin, Bronze, Titanium
- 4" Flanged
- 3" Flanged
- Ratings to 400 PSI
- Mobile Stand
- Monthly Test Lease



800.801.4977

www.spencerstrainer.com